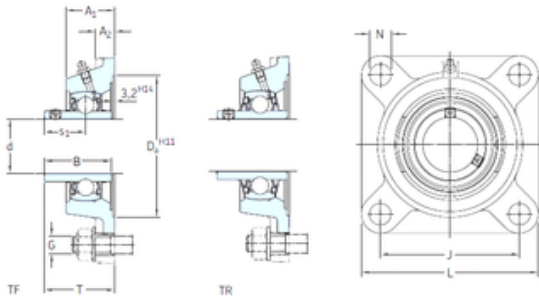




KIA Roller Industry Co.,Ltd

SKF FY 20 FM bearing units

Bearing No. FY 20 FM



FY 20 FM Bearing 2D drawings and 3D CAD models

| | |
|-------------------------------|---------------|
| Bore Diameter | 20 mm |
| d | 20 mm |
| Da | 68,3 mm |
| s1 | 23,5 mm |
| A1 | 29,5 mm |
| B1 | 31 mm |
| G | 10 mm |
| J | 63,5 mm |
| L | 86 mm |
| N | 11,5 mm |
| T | 42,5 mm |
| A2 | 11 mm |
| Weight | 0,62 Kg |
| Basic dynamic load rating (C) | 12,7 kN |
| Basic static load rating (C0) | 6,55 kN |
| Fatigue load limit (Pu) | 0,28 |
| Category | Bearings |
| Inventory | 0.0 |
| Manufacturer Name | SKF |
| Minimum Buy Quantity | N/A |
| UNSPSC | 31171501 |
| Weight / Kilogram | 0 |
| EAN | 7316570168563 |
| Product Group | M06110 |
| Housing material | Cast iron |
| D _a | 68.3 mm |



KIA Roller Industry Co.,Ltd

| | |
|---|---------------|
| D_{b1} | 57 mm |
| D_{b2} | 63 mm |
| A | 29.5 mm |
| A_1 | 11 mm |
| A_3 | 3.2 mm |
| A_5 | 18.5 mm |
| B_1 | 31 mm |
| s_1 | 24 mm |
| R_G | 1/4-28 UNF |
| R_1 | 20.5 mm |
| D_N | 6.5 mm |
| SW_N | 7 mm |
| G_N | 1/4-28 SAE-LT |
| J_6 | 74 mm |
| J_7 | 16 mm |
| N_4 | 4 mm |
| Basic dynamic load rating C | 12.7 kN |
| Basic static load rating C_0 | 6.55 kN |
| Fatigue load limit P_u | 0.28 kN |
| Limiting speed | 8500 r/min |
| Mass bearing unit | 0.56 kg |
| Thread grub screw G_2 | M6x0.75 |
| Hexagonal key size for grub screw N | 3 mm |
| Recommended tightening torque for grub screw | 4 N · m |
| Recommended diameter for attachment bolts, mm G | 10 mm |
| Recommended diameter for attachment bolts, inch G | 0.375 in |