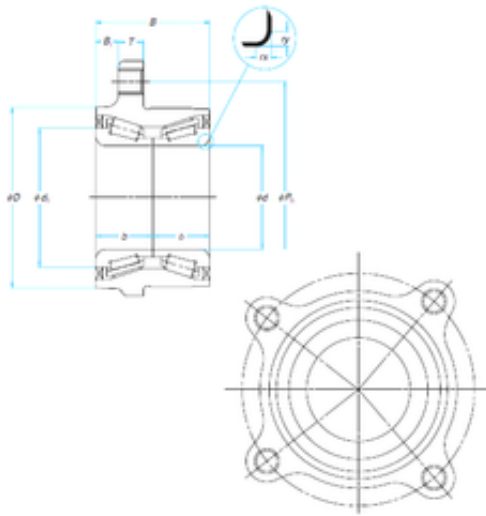




KIA Roller Industry Co.,Ltd



NSK ZA-/H0/50KWH01M-Y-01 tapered roller bearings

Bearing No. ZA-/H0/50KWH01M-Y-01

Bore Diameter	50 mm
Outer Diameter	86 mm
d	50 mm
D	86 mm
rx	5,5 mm
ry	5,5 mm
Pb	112 mm
Ph	112 mm
Bi	32 mm
b	27,5 mm
B	55 mm
T	12 mm
Weight	1,5 Kg
ABS -	

ZA-/H0/50KWH01M-Y-01 Bearing 2D drawings and 3D CAD models