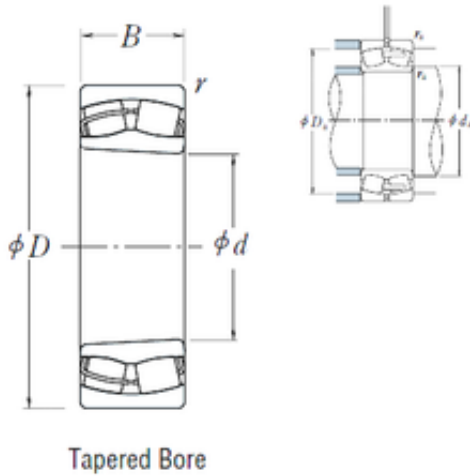




KIA Roller Industry Co.,Ltd



22206CKE4 Bearing 2D drawings and 3D CAD models

NSK 22206CKE4 spherical roller bearings

Bearing No. 22206CKE4

Size	30x62x20 mm
Bore Diameter	30 mm
Outer Diameter	62 mm
Width	20 mm
d	30 mm
D	62 mm
B	20 mm
C	20 mm
r min.	1 mm
da min.	36 mm
da max	37 mm
Da min	54 mm
Da max.	56 mm
ra max.	1 mm
Weight	0,27 Kg
Basic dynamic load rating (C)	50 kN
Basic static load rating (C0)	50 kN
(Grease) Lubrication Speed	6000 r/min
(Oil) Lubrication Speed	7500 r/min
Calculation factor (e)	0,33
Calculation factor (Y0)	2
Calculation factor (Y2)	3,1
Category	Bearings
Inventory	0.0
Manufacturer Name	NSK
Minimum Buy Quantity	N/A



KIA Roller Industry Co.,Ltd

Weight / Kilogram	0.262
Product Group	B04311
Y3	2.1
hidYobi	22206CKE4
LangID	1
Y1	2
D_	62
Y2	3.1
Macha rpm	0
B_	20
da min	36
hidTable	ecat_NSSPHR
Oil rpm	7500
Y0	2
mass	0.27
GRS rpm	6000
ra	1
TSR rpm	8500
C0	50
DE_	55.311
X0	1
Prod_Type3	SRB_CTB_TB
X1	1
X2	0.67
SIR	6.2
e	0.33
DA_	8.7
bomp	22206CKE4
Z_	14
ALP2	15
ALP1	12
ALP3	0



KIA Roller Industry Co.,Ltd

D_a max	56
D_a min	54
yobi	22206CKE4
ALPHA_	0.214
SDM_	46.809
r	1
KBRG	2322
SBRG	22
DI_	38.307