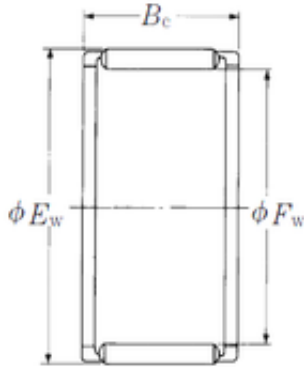




# KIA Roller Industry Co.,Ltd

## NSK FWJ-182417 needle roller bearings



Bearing No. FWJ-182417

Bore Diameter	18 mm
Outer Diameter	24 mm
Fw	18 mm
Ew	24 mm
Bc	17 mm
Weight	0,014 Kg
Basic dynamic load rating (C)	17,4 kN
Basic static load rating (C0)	21,6 kN
(Grease) Lubrication Speed	15000 r/min
hidYobi	FWJ-182417
LangID	1
Prod_Type3	NRB_CNRA_FWF-FWJ
d	18
D_	24
DA_	3
Z_	14
C	17.4
B_	17
hidTable	ecat_NSCRA
yobi	FWJ-182417
mass	14
GRS rpm	15000
OIL rpm	24000
SDM_	21
KBRG	8111
C0	21.6

FWJ-182417 Bearing 2D drawings and 3D CAD models



# KIA Roller Industry Co.,Ltd

SLR	14.8
-----	------