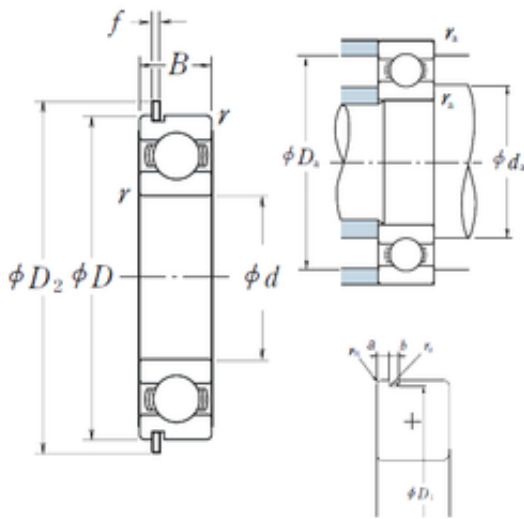




KIA Roller Industry Co.,Ltd

NSK 6809NR deep groove ball bearings

Bearing No. 6809NR



6809NR Bearing 2D drawings and 3D CAD models

Size	45x58x7 mm
Bore Diameter	45 mm
Outer Diameter	58 mm
Width	7 mm
d	45 mm
D	58 mm
B	7 mm
C	7 mm
rn	0,3 mm
a	1,3 mm
b	0,95 mm
f	0,85 mm
r min.	0,3 mm
r0 max.	0,25 mm
D1	56,7 mm
D2	60,8 mm
da min.	47 mm
da max	47,5 mm
Da max.	56 mm
ra max.	0,3 mm
Weight	0,038 Kg
Basic dynamic load rating (C)	6,6 kN
Basic static load rating (C0)	6,15 kN
(Grease) Lubrication Speed	11 000 r/min
(Oil) Lubrication Speed	13 000 r/min
SRI	2.05



KIA Roller Industry Co.,Ltd

hidYobi	6809NR
LangID	1
ro	0.25
D_	58
SREX	0.015
B_	7
da min	47
hidTable	ecat_NSRDGB
Oil rpm	13000
SRE	2.05
Cy	1.8
mass	0.038
GRS rpm	11000
ra	0.3
SRIX	0.015
D_a	56
SRIN	-0.015
C0	6.15
fo	17.2
SREN	-0.015
DE_	55.469
Prod_Type3	DGBB_SR_NR_OT
DA_	3.969
bomp	0
Z_	23
yobi	6809NR
Dx	61.5
C_conv	6600
ALPHA_	0
SDM_	51.5
r	0.3
KBRG	6101



KIA Roller Industry Co.,Ltd

SBRG	18
DI_	47.531