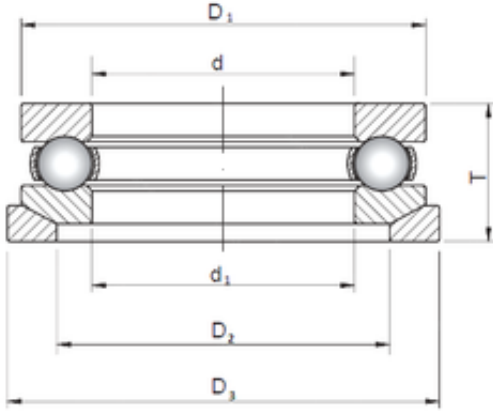




KIA Roller Industry Co.,Ltd

ISO 53332U+U332 thrust ball bearings

Bearing No. 53332U+U332



Bore Diameter	160 mm
Outer Diameter	265 mm
d	160 mm
d1	164 mm
D	265 mm
D1	270 mm
T	100 mm
D2	215 mm
D3	280 mm

53332U+U332 Bearing 2D drawings and 3D CAD models